

**BA PSYCHOLOGY
FIFTH SEMESTER [SPECIAL REPEAT]
ABNORMAL PSYCHOLOGY-I
BPY – 501**

**SET
A**

[USE OMR SHEET FOR OBJECTIVE PART]

Duration: 3 hrs.

Full Marks: 70

Time: 30 mins.

(Objective)

Marks: 20

Choose the correct answer from the following:

1 × 20 = 20

- In which chapter of ICD 10, the Mental and Behaviour Disorders are discussed?
 - Chapter C
 - Chapter D
 - Chapter E
 - Chapter F
- When is the world mental health day celebrated?
 - May 24
 - October 10
 - April 2
 - September 10
- In the clinical setting, _____ can be defined as the harmonious responsiveness of the physician to the patient and the patient to the physician.
 - Rapport
 - Emotion
 - Belonging
 - Trust
- Identify F3 category of disorders according to ICD 10
 - Mental retardation
 - Organic disorder
 - Schizophrenia
 - Mood disorders
- MSE stands for
 - Mental Status Examination
 - Mental State Examination
 - Mental status Enquiry
 - Mental State Enquiry
- Which is NOT TRUE about proactive substances?
 - Proactive substance if consumed in small doses, have no chances of any psychological disturbances.
 - Proactive substance is capable of altering the mental functioning
 - Use of proactive substance has high chance of disturbances in level of consciousness, cognition, perception, affect behaviour and other physiological functions and responses.
 - A strong desire to or sense of compulsion to take the substance.
- Any behaviour that does not allow a person to function within or adopt to the stresses and everyday demands of life is considered abnormal because it creates?
 - Distress
 - Deviance
 - Impairment
 - Dangerous
- The term anorexia is derived from _____ term for loss of appetite.
 - Latin
 - Greek
 - Sanskrit
 - None of the above

9. Which of the following are models of Abnormal Psychology?
a. Biological Model
b. Behavioural Model
c. Psychodynamic Model
d. All of the above
10. How do you describe mood in MSE?
a. Anxious
b. Restlessness
c. Unfriendliness
d. Anger
11. True about substance use
a. Maladaptive pattern of substance use
b. Repeated use of a psychoactive substance in hazardous ways.
c. Both A & B are true about substance use
d. Not sure
12. Information regarding the client's socio-demographic characteristics like address and telephone number, marital status, age, gender and so on during clinical interview are refer as _____
a. Personal information
b. Identifying Data
c. confidential information
d. None of the above option
13. Fear of becoming fat.
a. Bulimia
b. Anorexia nervosa
c. Obesophobia
d. Muscle dysmorphia
14. 'Self-starvation' symptom is associated with
a. Bulimia nervosa
b. Anorexia nervosa
c. Fasting
d. Binge Eating
15. ICD stand for
a. International Classification of Disorder
b. International Classification of Disability
c. International Classification of Disease
d. International Classification of Doctors
16. The primary purpose of the dsm-5 is to _____
a. Help psychologists assess only normal behaviour
b. Help psychological Professional diagnose psychological disorders.
c. Describe the causes of common physiological disorders
d. Keep the number of diagnostic categories of mental disorders to a minimum.
17. In Bulimia Nervosa
a. Out-of-control eating episodes
b. Self-induced vomiting, excessive use of laxatives, or other attempts to purge the food.
c. Recurrent inappropriate compensatory behaviour in order to prevent weight gain
d. All of the above
18. Anorexia Nervosa
a. Restricting type
b. Binge-eating type
c. None of these are anorexia nervosa types
d. Purging type

19. _____ makes it difficult for an individual to empathize with others or to share their own feelings.
- Emotional detachment
 - Social detachment
 - Cognitive detachment
 - Hesitation
20. The logical sequence of Clinical Interview are:
- Identifying data → Description of the presenting problems → Psychosocial history → Medical/psychiatric history.
 - Description of the presenting problems → Identifying data → Psychosocial history → Medical/psychiatric history.
 - Identifying data → Psychosocial history → Medical/psychiatric history.
 - Identifying data → Psychosocial history → Medical/psychiatric history → Description of the presenting problems

-- --- --

(Descriptive)

Time : 2 Hr. 30 Mins.

Marks : 50

[Answer question no.1 & any four (4) from the rest]

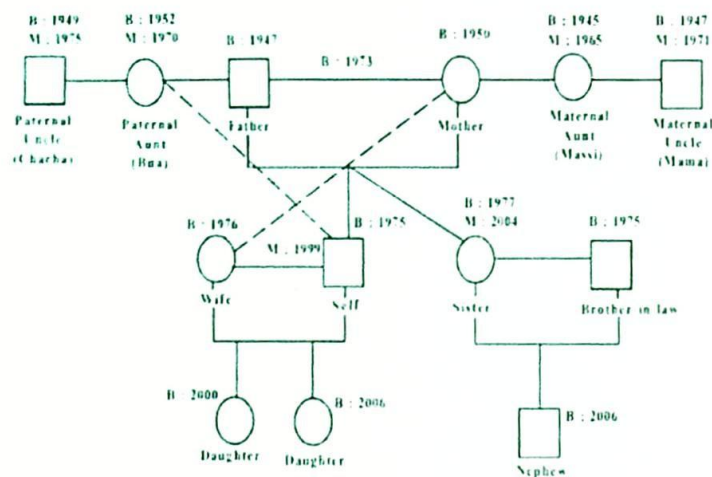
- What is psychopathology? Explain the criteria of abnormal behaviour with suitable examples. 3+7=10
- Discuss the development of DSM. 10
- What do you mean by biological and psychological factors that contribute to psychopathology? Discuss the implications of academic expectation and achievement on psychopathology. 6+4=10
- What is substance related disorder according to DSM5? Discuss the clinical features of Alcohol use disorder. 3+7=10
- Discuss in brief any two from the pattern of substance use disorders: 5+5=10
 - Intoxication
 - Withdrawal Syndrome
 - Dependence Syndrome
 - Harmful use of proactive substance

6. Discuss the purpose of genogram in the diagnosis of psychological disorder? After careful observation of the Genogram Diagram, write the interpretation of the family tree and Genogram given below.

4+6=10

upervised

Drawing of the Genogram:



7. Emma is an 18-year-old college freshman who has recently been exhibiting signs of significant weight loss, preoccupation with food and body image, and social withdrawal. Her friends and family have noticed that she avoids communal meals, often expressing disinterest in food. Emma used to be an active participant in various social activities, but lately, she has become increasingly isolated.
- Based on Emma's symptoms, which eating disorder is most likely to be present?
 - Identify and explain two specific criteria from the DSM-5 that support your diagnostic assessment
 - Discuss potential psychological, social, and environmental factors that may have contributed to Emma's development of an eating disorder.
8. Explain in brief:
- Importance of taking MSE with reference to its components and in diagnosis process.
 - Importance of psychiatric case history interview in reference to principles of psychiatric interview of psychological disorders.

1+4+5=10

5+5=10

= = *** = =